



A Moen Incorporated Brand

Model:
CA47513 series

Flagstone[®]



UPC[®] NSF 61/9



CA47513



CA47513B

One Handle Kitchen With Spray

DESCRIPTION

- Metal construction with chrome plated finish
- Includes hose and spray
- Hose reach 36", hose length 48"
- Chrome finish, white spray (47513); Chrome finish, black spray (47513B)
- 1/2" IPS connections
- Will accept standard cone/bevelled connection for 3/8" tubing
- Six (6) individual boxes per master carton

OPERATION

- Pivot action, lever style handle
- Temperature control by 90° arc
- Features international red/blue markings

FLOW

- Spout flow limited to 1.5 gpm (5.7 L/min) at 60 psi

CARTRIDGE

- Ceramic disc technology
- Non-metallic, non-ferrous, and plastic material
- Single body construction for easy replacement

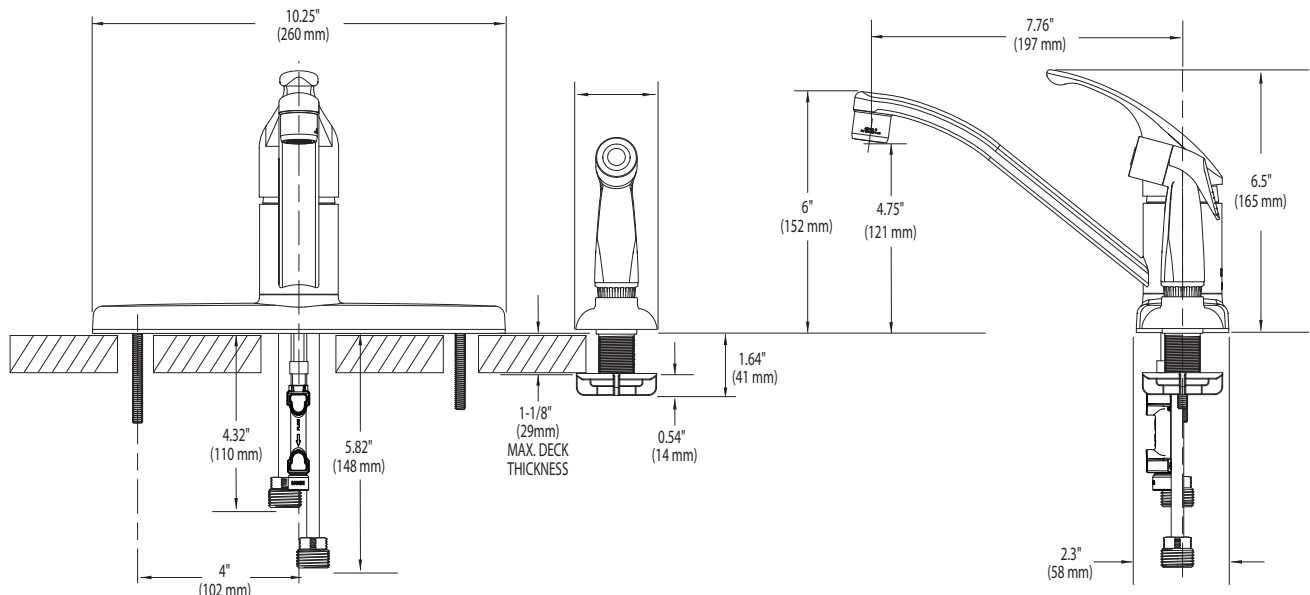
STANDARDS

- Third party certified to ASME A112.18.1/CSA B125.1, and all applicable requirements referenced therein, California Proposition 65, Illinois, Massachusetts, and Texas
- Contains no more than 0.25% weighted average lead content
- All CFG products are compliant to all plumbing codes that require 3rd party certification to the applicable plumbing/fitting standards
- Feature red/blue hot/cold temperature indicators
- ADA for lever handle

WARRANTY – RESIDENTIAL, COMMERCIAL

- One year limited warranty against defects in materials and manufacturing workmanship
- Refer to the installation instructions enclosed with each CFG product or call 1-888-450-4910 for complete warranty information

CRITICAL DIMENSIONS





A Moen Incorporated Brand

Model:
CA47513 series

Flagstone[®]



UPC[®] NSF 61/9



One Handle Kitchen With Spray

DESCRIPTION

- Metal construction with chrome plated finish
- Includes hose and spray
- Hose reach 36"; hose length 48"
- Chrome finish, white spray (47513); Chrome finish, black spray (47513B)
- 1/2" IPS connections
- Will accept standard cone/bevelled connection for 3/8" tubing
- Six (6) individual boxes per master carton

OPERATION

- Pivot action, lever style handle
- Temperature control by 90° arc
- Features international red/blue markings

FLOW

- Spout flow limited to 2.0 gpm (7.6 L/min) at 60 psi

CARTRIDGE

- Ceramic disc technology
- Non-metallic, non-ferrous, and plastic material
- Single body construction for easy replacement

STANDARDS

- Third party certified to ASME A112.18.1/CSA B125.1, ANSI A117.1 and all applicable requirements referenced therein, California Proposition 65, Illinois, Massachusetts, and Texas
- Contains no more than 0.25% weighted average lead content
- All CFG products are compliant to all plumbing codes that require 3rd party certification to the applicable plumbing/fitting standards
- Feature red/blue hot/cold temperature indicators
- ADA for lever handle

WARRANTY – RESIDENTIAL, COMMERCIAL

- One year limited warranty against defects in materials and manufacturing workmanship
- Refer to the installation instructions enclosed with each CFG product or call 1-888-450-4910 for complete warranty information

The use of aerator part 116711 reduces flow to a maximum of 1.5 gpm (5.7L/min.)

CRITICAL DIMENSIONS

